

GlassCraft Premium Fiberglass Series

Prehung Entry Order Form 2011

Copy this form and email to:
doorsales@glasscraft.net

Fax: 713-690-2919

Use this form to order any Fiberglass prehung entryway that is shown in our Premium Fiberglass Catalog, Be sure to use the stock number shown under the product drawing from the catalog or price list.

Company Name _____

Address _____

City, State, Zip _____

Contact Name _____ PO Number _____

Telephone _____ Contact's Email _____

Entryway Stock Number (from Premium Fiberglass Catalog) (_____)

Section 1—Size Information

Door Width is 3-0 2-8 Sidelite Width is None 1-0 1-2 1-4

Door Height is 6-8 8-0

(Refer to sizes listed in price lists for availability of specific door widths for each entry configuration)

Section 2—Prefinish Information

Prefinished unit? Door & Frame Door Only/Unfinished Frame No (Unfinished)

If yes, which finish? Traditional Finish Distressed Finish

Finish Color? Mocha Cranberry Sycamore

Section 3—Prehang Information (refer to the door handing chart on page 2 of this form)

Single Door Handing Right Hand (inswing) Right Hand (outswing)
 Left Hand (inswing) Left Hand (outswing)

Double Door Handing Right Hand Active (inswing) Right Hand Active (outswing)
 Left Hand Active (inswing) Left Hand Active (outswing)

Single Door/Single Sidelite Door Handing Right Sidelite/Right Hand Active (inswing) Right Sidelite/Right Hand Active (outswing)
 Right Sidelite/Left Hand Active (inswing) Right Sidelite/Left Hand Active (outswing)
 Left Sidelite/Right Hand Active (inswing) Left Sidelite/Right Hand Active (outswing)
 Left Sidelite/Left Hand Active (inswing) Left Sidelite/Left Hand Active (outswing)

Single Door/Double Sidelite Door Handing Right Hand Active (inswing) Right Hand Active (outswing)
 Left Hand Active (inswing) Left Hand Active (outswing)

Jamb Width? 4 1/2" 6 1/2"

Adjustable Sill Color? Bronze Aluminum Mill Aluminum

Hinge Finish? Satin Nickel Flat Black Oil Rubbed Bronze

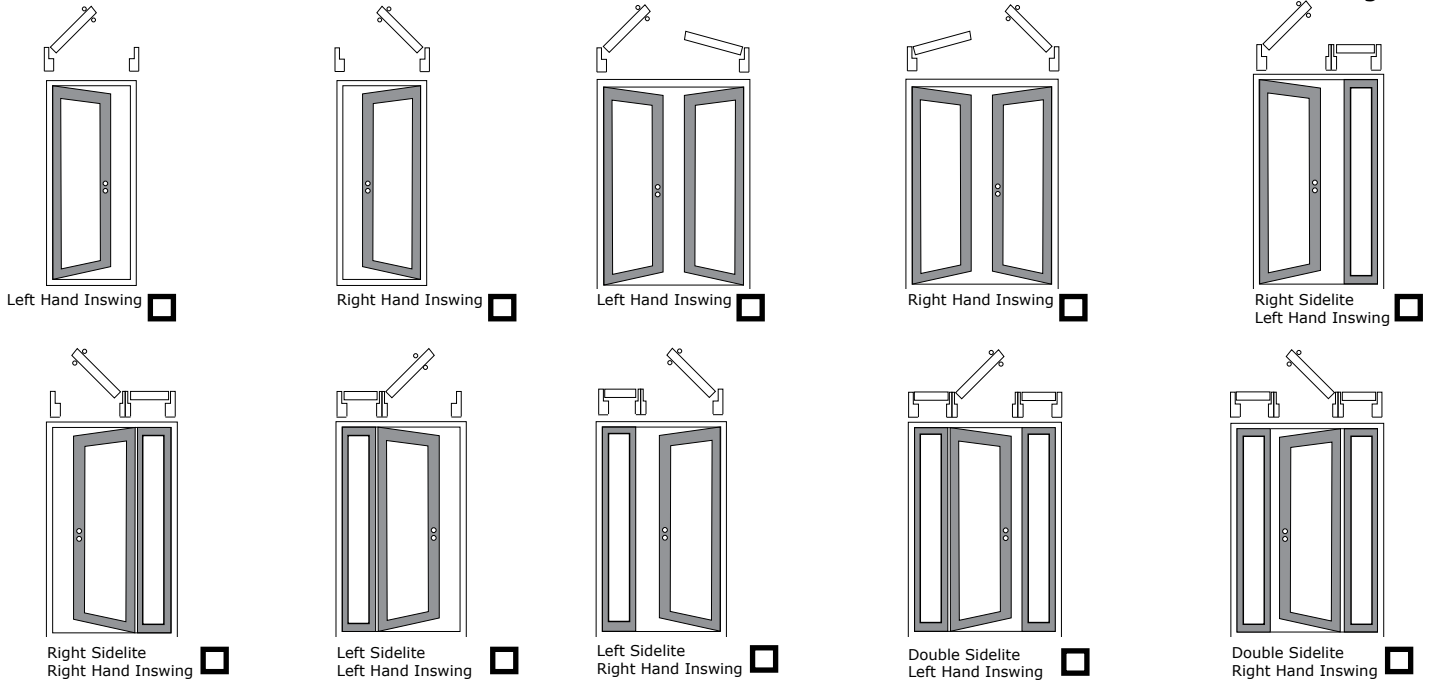
GlassCraft Multipoint Lock? No Yes Part # _____ Emtek Mortise Lock Pocket Prep? No Yes

Double or Single Standard Locksets

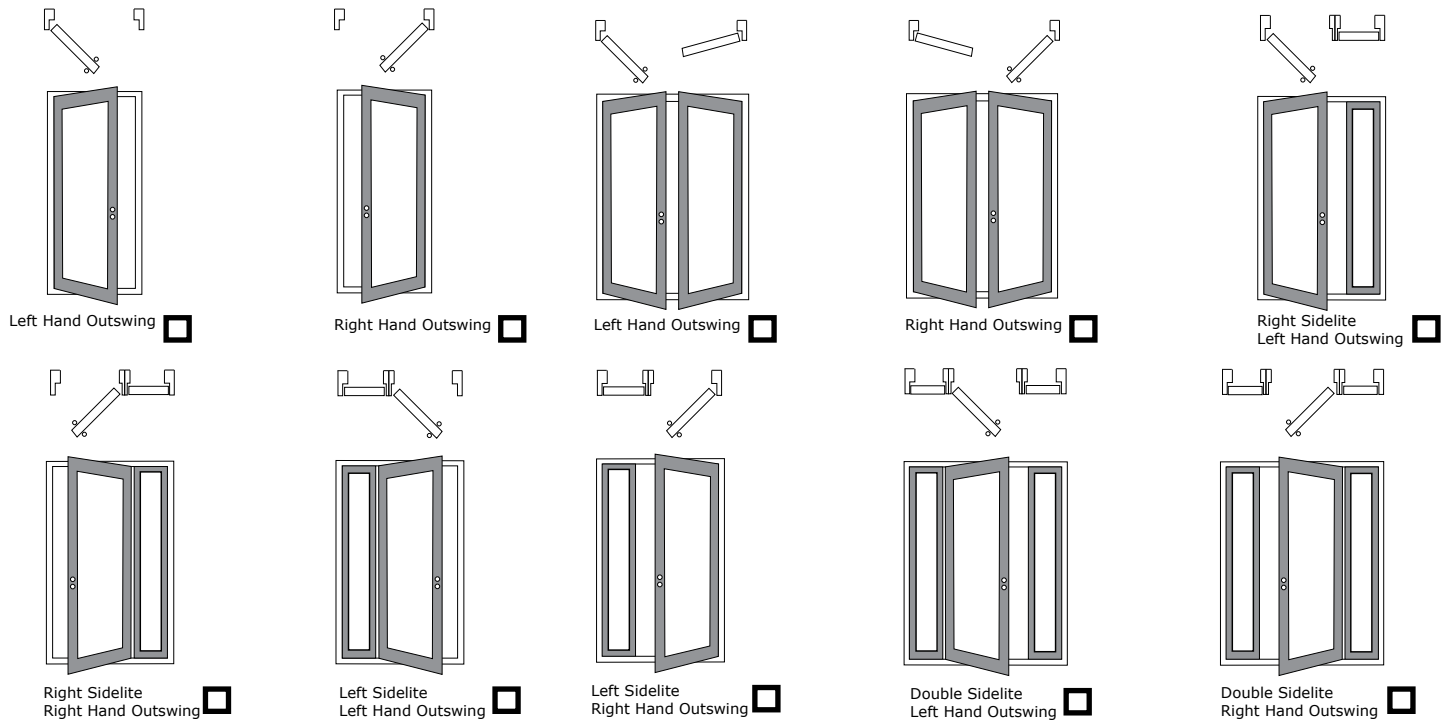
Latch set bore? No Yes If yes, select bore backset distance: 2 3/8" 2 3/4"

Dead bolt bore? No Yes Center to center distance: 5 1/2" other _____

If yes, select bore diameter: 2 1/8" Bore 1 5/8" Bore



Outswing Configurations



Shipping Information:

- Entry will be picked up from GlassCraft assembled
- Entry will be shipped K-D (knocked down) and crated
- Entry will be shipped assembled and crated (unit may not be completely assembled, depending upon configuration).

Received on: _____

GlassCraft use only

Confirmed on: _____

Price quotation: _____

Estimated Ship Date: _____

CSR initials: _____

I accept this order.

Signature _____

Date _____

Please note that changes or cancellations made to this order after signed confirmation is received by GlassCraft may result in additional charges.