

GlassCraft Standard or Custom PreHung Order Entry Form August 2011

Copy this form, and fax to: 713-690-2919
Or email to doorsales@glasscraft.com

Use this form to order any standard prehung entryway that is shown in any of our door catalogs, or to order a custom prehung entryway. Be sure to use the reference number shown under the product drawing from the catalog, or your CQTE Custom Quote Number.

Company Name _____
Address _____
City, State, Zip _____
Contact Name _____
PO Number _____
Telephone _____ Contact's Fax _____
Email _____

Windstorm Approved? Yes No
(Caution Windstorm product may extend leadtime and or increase price.)

Entryway Reference # (from Catalog) _____ Catalog Name _____ Page # _____
OR
Entryway Reference # (from Floor) _____ Style Name _____
OR
CQTE Custom Quotation Number (from Quote) _____ (skip to Section 2 if you have a Quote)

Section 1—Size Information (If you have a CQTE Number—Skip to Section 2)

Door Width 30" 32" 36" Other _____
(Refer to sizes listed in price lists for availability of specific door widths for each Entry Configuration) (custom products only)

Sidelite Width 12" 14" Other _____ (custom products only)
(Refer to sizes listed in price lists for availability of specific sidelite widths for each Entry Configuration)

Panel Came Color: Black Satin Nickel Oil Rubbed Bronze
(If applicable for doors with leaded glass—TDL doors and solid doors (no glass) will not have a Came Color choice)

Wood Specie: Mahogany Knotty Alder

Section 2—Prefinish Information

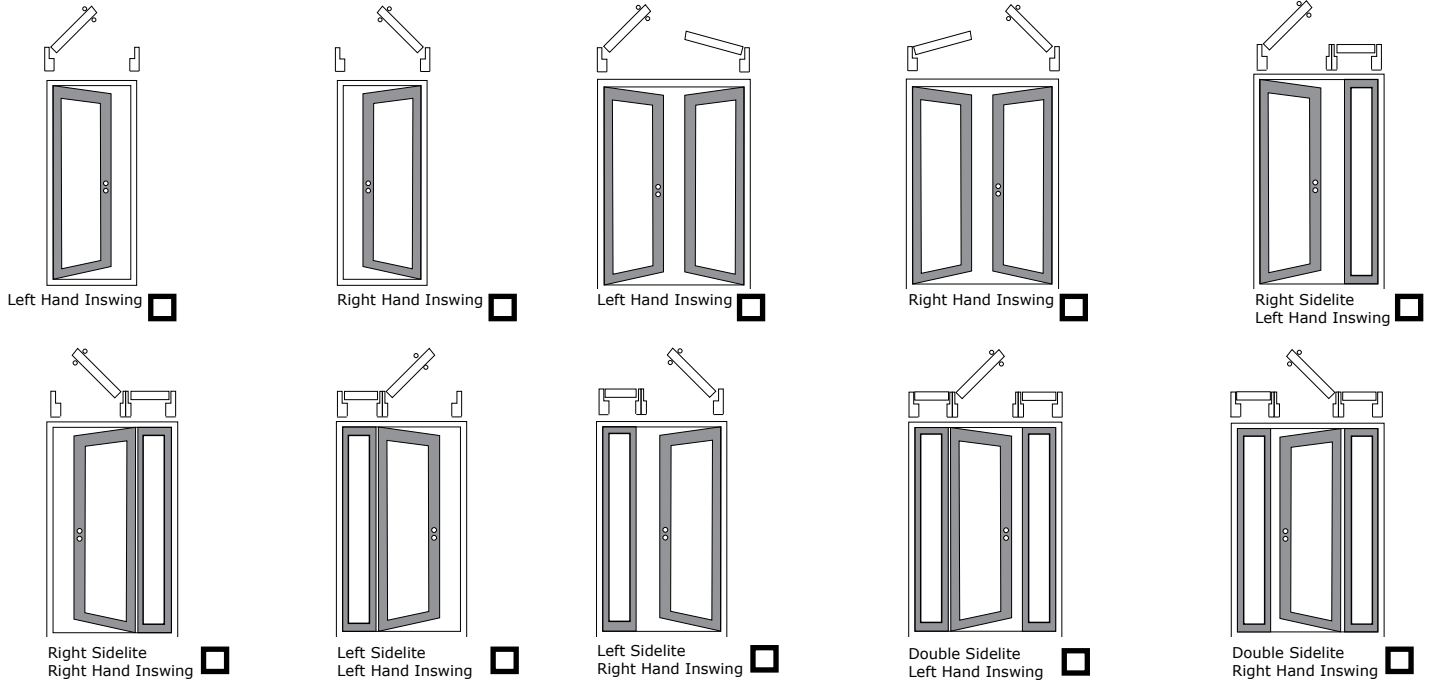
Prefinished unit Yes No (unfinished unit)
If yes, which finish? Traditional Finish Distressed Finish
Wood Finish Color? Executive Cherry Cinnamon Red Winter White
 Canyon Brown Sierra Brown Natural
Wrought Iron Finish Color? Black Antique Bronze Antique Pewter

Section 3—Prehang Information (refer to the door handing chart on page 2 of this order form)

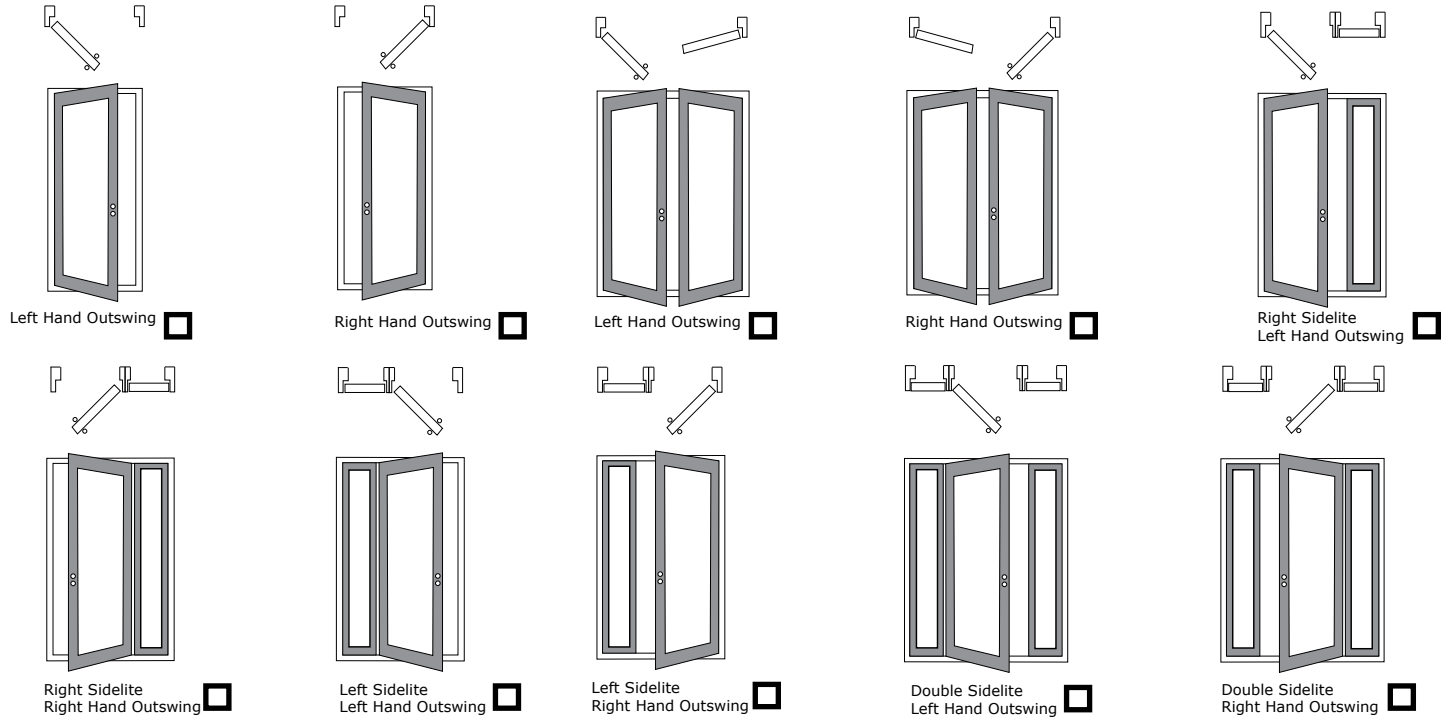
Prehang? No (go to back page) Yes
If Yes, Prehang Type Interior Exterior
Jamb Width? 4 5/8" 6 5/8" Other _____ (custom products only)
Sub-Casing on Frame? Yes No
(S4S 3/4" X 3 1/2" Stocked in Mahogany only)
Brick Mould? Yes No
Adjustable Sill Color? Bronze Aluminum Mill Aluminum
Hinge Finish? Satin Nickel Flat Black Oil Rubbed Bronze

See Page 2 for Pre-Hung handing configurations

Please select your pre-hung handing configuration
Inswing Configurations



Outswing Configurations



Additional information or special instructions:

Section 3: Prehang Information (Continued): Hardware Preparation Information

Emtek Mortise Lock Pocket Prep?	<input type="checkbox"/> No	<input type="checkbox"/> Yes
Trilinnium 3-Point Lock Mortise Prep?	<input type="checkbox"/> No	<input type="checkbox"/> Yes
Latch set bore?	<input type="checkbox"/> No	<input type="checkbox"/> Yes
If yes, select bore distance: (For standard locksets only)	<input type="checkbox"/> 2 3/8"	<input type="checkbox"/> 2 3/4"
Dead bolt bore	<input type="checkbox"/> No	<input type="checkbox"/> Yes
If yes, select bore diameter: (For standard locksets only)	<input type="checkbox"/> 2 1/8" Bore	<input type="checkbox"/> 1 5/8" Bore
Center to center distance:	<input type="checkbox"/> 5 1/2"	<input type="checkbox"/> other _____

Please Note: Entryways with sidelites will be produced using a "fat boy" mull between the door and sidelites. This allows for a *continuous sill* to be installed, which provides a more attractive and stronger entryway system.

Additional information or special instructions:

Shipping Information:

Entry will be picked up from GlassCraft assembled

Entry will be shipped K-D (knocked down) and crated

Entry will be shipped assembled and crated (unit may not be completely assembled, depending upon configuration. Please inquire for more information).

GlassCraft use only:

Received on: _____

Confirmed on: _____

Price quotation: _____

Estimated Ship Date: _____

CSR initials: _____

I accept this order.

Signature _____ Date _____

Please note that changes or cancellations made to this order after signed confirmation is received by GlassCraft may result in additional charges.