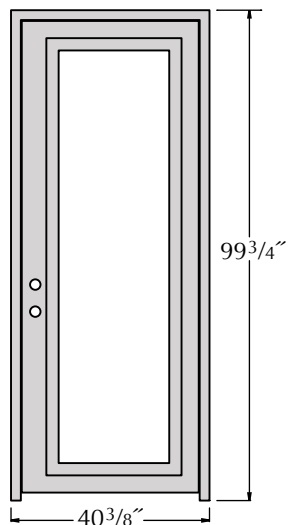


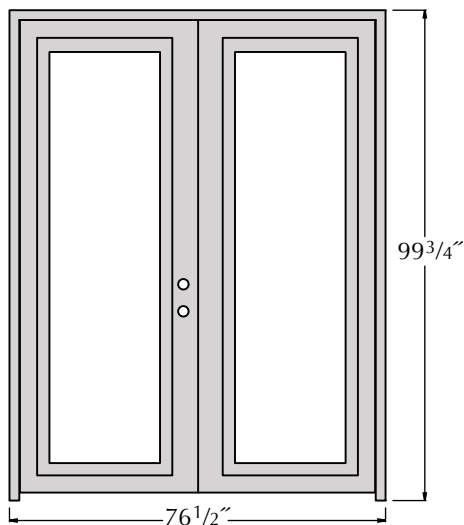
Buffalo Forge Dimensions

Unit Dimensions

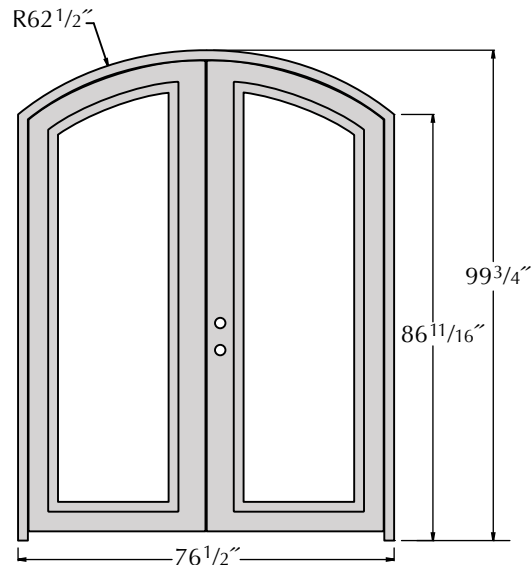
- Dimensions shown reflect our new heavy-duty framing system.
- Rough opening add 2" to the width and 1" to the height measurements below.
- Sizes shown are $\pm 1/4"$.



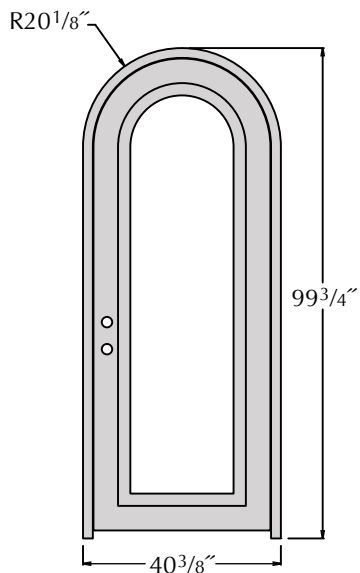
Single Door



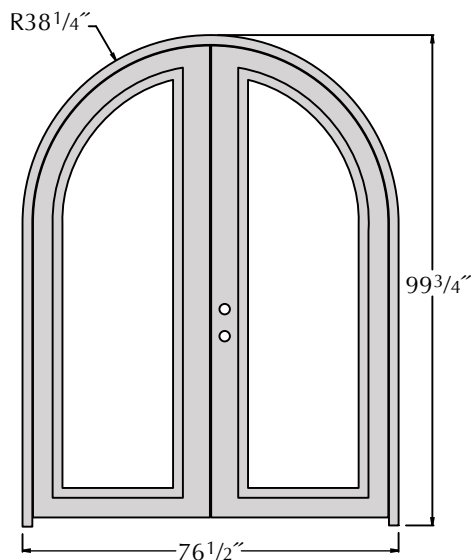
Double Door



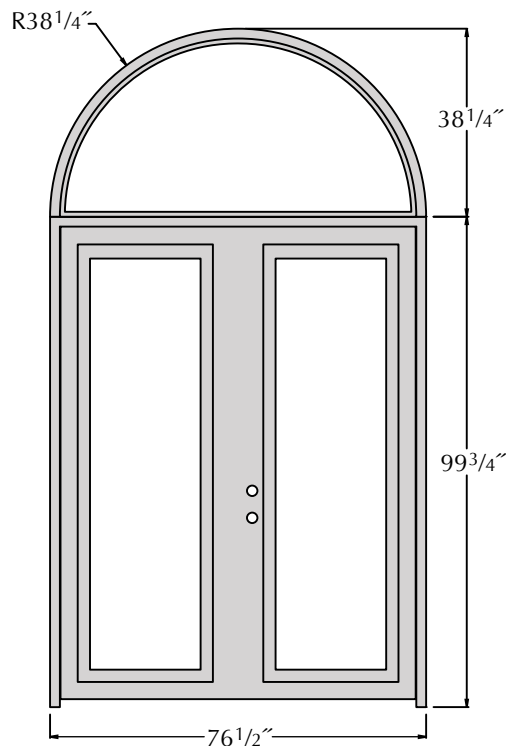
Double Arch Top



Single Round Top



Double Round Top



Double with Transom

