

**INSTRUCTION:** View our catalog online or scan the QR code on our printed catalog to get the detailed page with the item numbers and pricing information. **Important:** This Standard Order Form may not be used for ordering Impact rated door units.

**CONTACT INFORMATION:**

**Company Name:** \_\_\_\_\_  **Contact Name:** \_\_\_\_\_  
 **Address** \_\_\_\_\_ **City, State, Zip** \_\_\_\_\_  **Contact Email:** \_\_\_\_\_  
 **Phone** \_\_\_\_\_  **PO #** \_\_\_\_\_

**Windstorm Rated:**  Yes  NO (Standard only - Not Windstorm)

Note: Windstorm may extend lead time and/or increase price.

**ENTRYWAY STOCK #** (refer to the FiberCraft online catalog for item numbers): \_\_\_\_\_

**SIZE:** Enter the size information based on the available sizes for a specific door or sidelite as noted in the FiberCraft catalog.

Door Only: \_\_\_\_\_ Pre-hung: \_\_\_\_\_

Doorway Width:  32"  36"  42" Door Height:  6'8"  8'0" Sidelite Width  12"  14"

**PRE-FINISH OPTION:** Choose your wood grain, pre-finishing in Estate, Artisan or unfinished, and whether Antique or Distressed for Artisan.

**Important:** Refer to the catalog to see which wood grains are available for your chosen door style. For some door styles, Knotty Alder is available with Artisan finishes only.

Door & Frame  Door Only/Unfinished Frame  No (Unfinished)

Wood Grain:  **Cherry**  **Mahogany**  **Knotty Alder**  **Fir** (for Craftsman only)

Pre-finishing:  **Estate**  **Artisan Antique**  **Artisan Distressed**

**Estate Collection:**  Smoke

Chestnut

Mocha

Cranberry

**Artisan Collection:**  Midnight Grey

Laurel Grey

Sable Grey

Onyx

Espresso

Rosewood

Weathered Saddle

Pecan

Gunstock

**DECORATIVE OPTIONS:** Choice of V-Grooved or Smooth panels, Clavos Straps, Speakeasy, Grilles, Dentil Shelf, and more.

V-Grooved (if applicable):  Yes  No

Speakeasy Grille Design (if applicable):  Florentine  Madrid  Star  Seville

Clavos (Door Nails) Design (if applicable): \_\_\_\_\_ Qty: \_\_\_\_\_ Straps Design (if applicable): \_\_\_\_\_ Qty: \_\_\_\_\_

Wrought Iron Grille Design (if applicable): \_\_\_\_\_ Steel Grille Design (if applicable): \_\_\_\_\_

GBG Grille Design (if applicable): \_\_\_\_\_

Costa Mesa Insert (if applicable):  Left Side Steel Insert  Right Side Steel Insert

Santa Barbara (if applicable):  Left Side Glass Insert  Right Side Glass Insert

Peephole Viewer (if applicable):  Yes  No

Dentil Shelf (if applicable):  Yes  No

**GLASS OPTIONS:** Refer to the catalog for the available glass options. Not all glass textures are available for all door styles.

Clear  Water  Reeds  Rain  Large Flemish  Cloud  Clear Bevel  Clear LowE

**PRE-HUNG OPTION:** Standard Pre-hung units include the following: 4-9/16" Jamb Legs, Header, Standard Sill, Boots, Hinges, Weatherstrip and if applicable, T-Astragal, Mull Posts, and Flush Bolts. All items indicated as an upgrade will be charged at an additional cost.

Jamb Legs:  4-9/16"  6-9/16" (upgrade)

Sill:  Standard  Endura (upgrade)  ADA (upgrade) Sill Color:  Mill Aluminum  Bronze Aluminum (N/A for ADA sill)

Hinges Color:  Black  Satin Nickel  Oil Rubbed Bronze

**Other Upgrade Options:** (extra charge):

Brick Mold  Door Sweep  Strikejamb Reinforcement  Door Bore  Construction door

If adding **Door Bore**, please answer the following questions (continued to next page):

GlassCraft Multipoint Lock Prep:  Yes  No Handleset Part # \_\_\_\_\_ \*Dummy Handleset Part # \_\_\_\_\_

Dutch Door Hardware:  Standard Surface Bolt  Multipoint Latching Bolt Dutch Door Hardware Color:  ORB/Black  Satin Nickel

**Note:** For Dutch Doors, choice of Zenia, Savoy and Windsor only.

\*Dummy handleset is mounted on the inactive door of a double door unit.

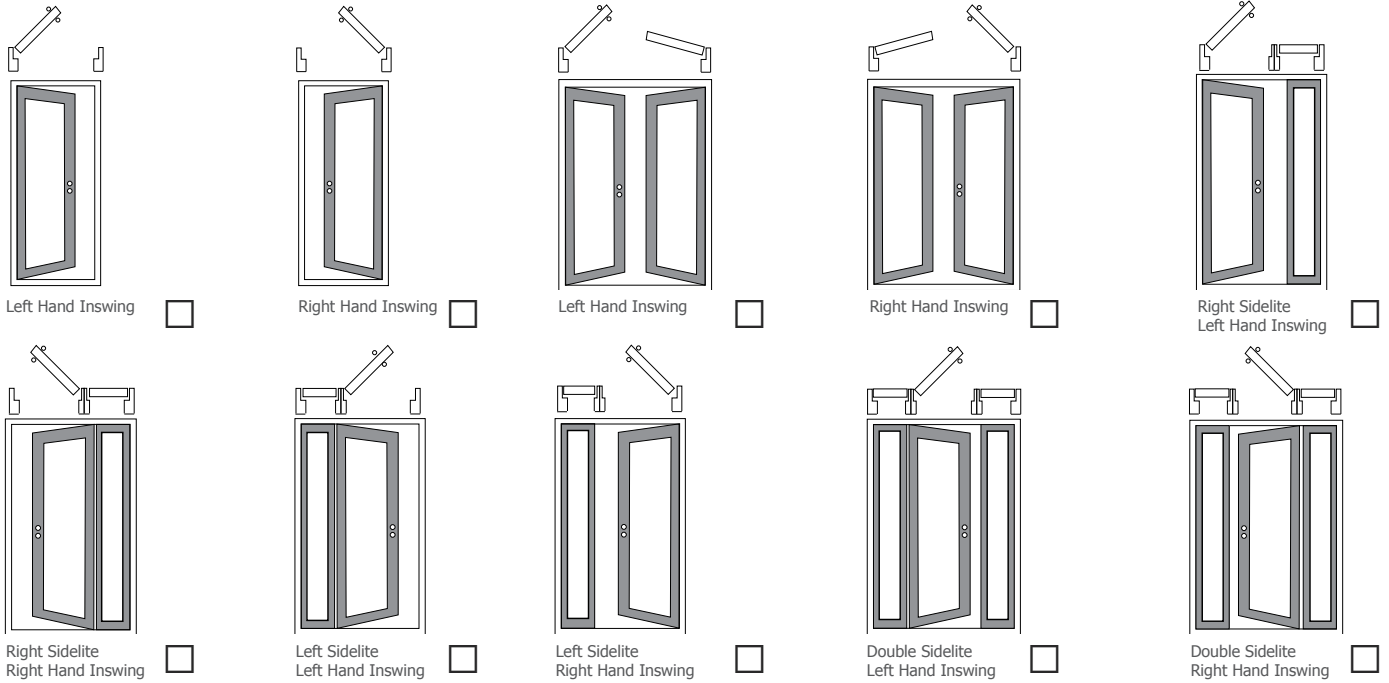
**Latch Set Bore:**  Yes  No If yes, select bore distance (for standard lock sets only):  2<sup>3</sup>/<sub>8</sub>"  2<sup>3</sup>/<sub>4</sub>"

**Dead bolt bore:**  Yes  No If yes, bore diameter is 2<sup>1</sup>/<sub>8</sub>" for standard lock sets.

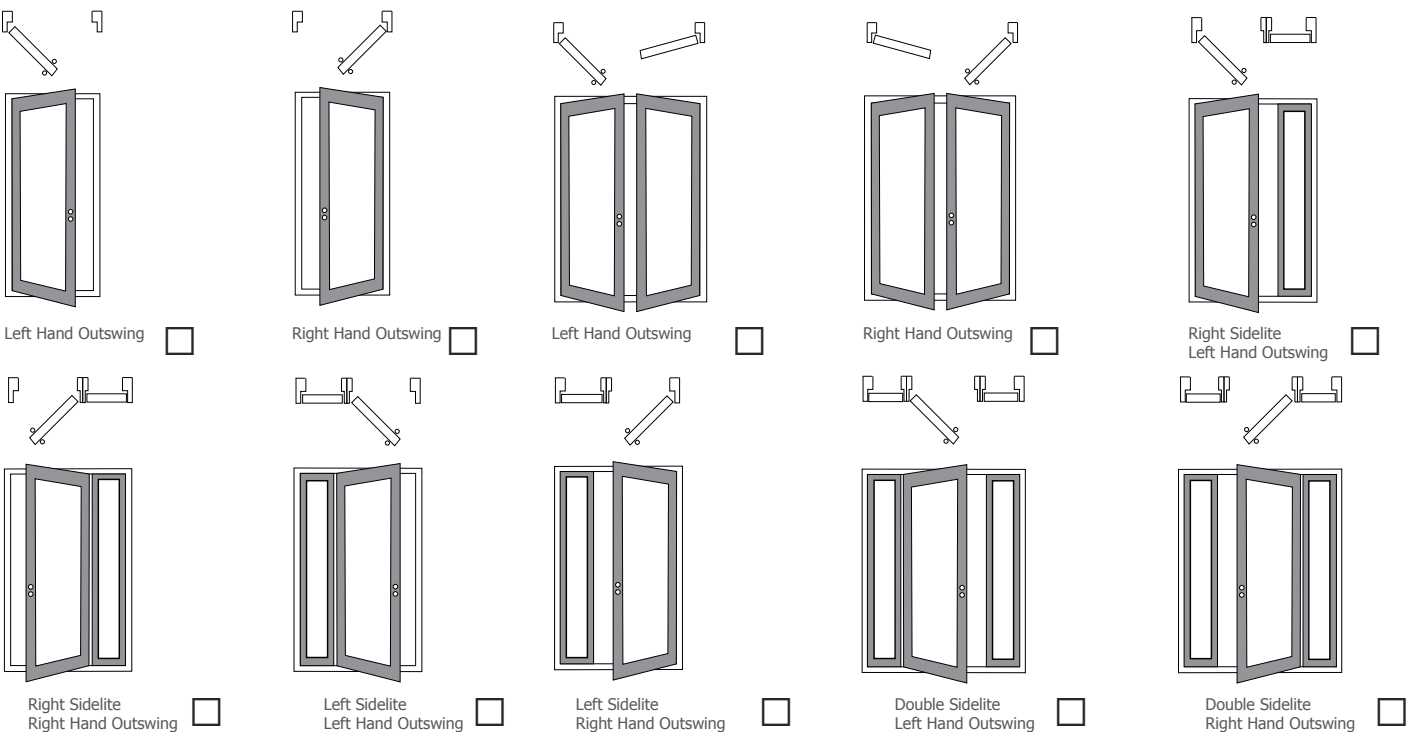
**Center to center distance:**  5<sup>1</sup>/<sub>2</sub>"  Other \_\_\_\_\_

**PRE-HUNG HANDING CONFIGURATIONS**

**Inswing Configuration:** Handings are to be acknowledged from the exterior looking in. GCDC designations could be different from what you are accustomed to. Please double check according to the images below.



**Outswing Configurations:** Handings are to be acknowledged from the exterior looking in. GCDC designations could be different from what you are accustomed to. Please double check according to the images below.



Additional information or special instructions (make sure to include standard options that may not be specified on this form):

---

---

---

---

---

---

---

---

---

---

**NOTE:** Brick mold, subcasing and interior casings are shipped uninstalled on pre-hung units. Some transom configurations have installed Sub-Casing and Brick mold. Entryways with Sidelites will be produced using a "fat boy" mull between the door and sidelites to allow for a continuous door sill to be installed.

**SHIPPING INFORMATION:**

- Entry will be picked up from GlassCraft assembled
- Entry will be shipped K-D (knocked down) and crated
- Entry will be shipped assembled and crated (Unit may not be completely assembled, depending upon configuration. Please inquire for more information.)

**GLASSCRAFT USE ONLY:**

Received on: \_\_\_\_\_  
Confirmed on: \_\_\_\_\_  
Price quotation: \_\_\_\_\_  
Estimated Ship Date: \_\_\_\_\_  
CSR initials: \_\_\_\_\_

**I ACCEPT THIS ORDER.**

\_\_\_\_\_  
Signature

\_\_\_\_\_  
Date

**SUBMIT THIS FORM:**

- **Email to:** [orderentry@glasscraft.com](mailto:orderentry@glasscraft.com)
- **Fax to:** 713-690-2919

**IMPORTANT:** Changes or cancellations made to this order after signed confirmation is received by GlassCraft may result in additional charges.

**PLEASE NOTE:** The ability to submit this form using the Submit button may be limited by your computer setup. If you are unable to submit the form using the Submit button. Please save the file to your computer and send it to [orderentry@glasscraft.com](mailto:orderentry@glasscraft.com)