

INSTRUCTION: Use this form to order any Buffalo Forge pre-hung entryway that is shown in our Buffalo Forge ThermaPremium catalog. Be sure to use the stock number shown under the product drawing in the catalog.

CONTACT INFORMATION:

Company Name: _____ **Contact Name:** _____
 Address: _____ **City, State, Zip:** _____
 Phone: _____ **PO #:** _____ **Contact Email:** _____

ENTRYWAY STOCK # (Refer to the Buffalo Forge ThermaPremium catalog): _____

SIZE INFORMATION (Refer to sizes listed in price lists for availability of specific door widths for each entry configuration.)

Door Width: 36" 42"
Glass Selection: Clear Rain Ice Flower Ocean Reeds Cloud

PRE-FINISH INFORMATION

Estate Finish Color: Black Satin Dark Grey Satin French Grey Satin
 Oil Rubbed Bronze Satin Medium Bronze Satin Copper Bronze Satin
Artisan Finish Color: Dark Grey Weathered Medium Grey Weathered Dark Bronze Weathered Medium Bronze Weathered

PRE-HANG INFORMATION

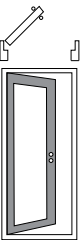
Refer to our door handing chart at right to select your handing option. **PLEASE NOTE:** Handings are to be acknowledged from the exterior looking in. GCDC designations could be different from what you are accustomed to. Please double check according to the images provided.

Sill Color is Bronze

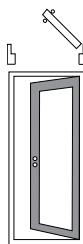
Jamb Width: 4 5/8" 6 5/8" All active doors are double bored 2 1/8" diameter center-to-center distance is 5 1/2", with a 2 3/4" backset.

*All doors are viewed from exterior.

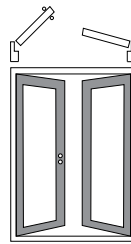
Inswing Configurations



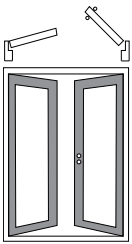
Left Hand Inswing



Right Hand Inswing

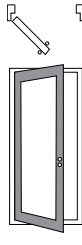


Left Hand Inswing

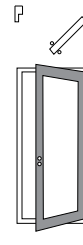


Right Hand Inswing


Outswing Configurations



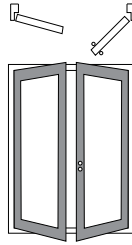
Left Hand Outswing



Right Hand Outswing



Left Hand Outswing



Right Hand Outswing

HANDLE SET & ADDITIONAL INFORMATION

Handle Set: No Yes, Handle Set Part #: _____ (Refer to pages 14-15 of the ThermaPremium catalog.)

OTHER OPTIONS (Will be charged at additional cost)

- | | | | |
|--|--|---|--------------------------------------|
| <input type="checkbox"/> Removable screen | <input type="checkbox"/> Open-hold arm | <input type="checkbox"/> Construction door | <input type="checkbox"/> Brick mould |
| <input type="checkbox"/> ADA sill (Mill Aluminum only) | <input type="checkbox"/> Strike jamb | <input type="checkbox"/> Clavos (Door Nails) Part #: _____ Qty: _____ | |
- (Refer to page 9 of the ThermaPremium catalog.)

Additional Information or Special Instructions:

GlassCraft Door Company does not warranty the installation and alignment of any Buffalo Forge ThermaPremium Door unit. All units have been fully assembled and the complete door panel, frame and glass panel operation and alignment is certified to be within all manufacturer's specifications.

I understand that GlassCraft Door Company is not responsible for the installation, job site operation and alignment of this Buffalo Forge ThermaPremium order.

I accept this order.

Signature

Date

Shipping Information:

- Entry will be picked up from GlassCraft assembled.
 Entry will be shipped assembled and crated.
See price list for shipping and crating charge information.

Submit Form

PLEASE NOTE: The ability to submit this form using the Submit button may be limited by your computer setup. If you are unable to submit the form using the Submit button, please save the file to your computer and send it to orderentry@glasscraft.com

SUBMIT THIS FORM:

- Use the Submit button to send form
- Or Email to: orderentry@glasscraft.com
- Or Fax to: 713-690-2919

IMPORTANT: Changes or cancellations made to this order after signed confirmation is received by GlassCraft may result in additional charges.

GlassCraft Use Only:

Received on: _____

Confirmed on: _____

Price quotation: _____

Estimated Ship Date: _____

CSR Initials: _____