

INSTRUCTION: Use this form to order any standard pre-hung or non-prehung entryway that is shown in our WoodCraft Mahogany and Knotty Alder Entry Door product catalog (to order custom, use the custom order form for hardwood entry doors on our website). Be sure to use the pre-hung unit numbers or door slab stock numbers (for non-prehung) shown in our online catalog.

CONTACT INFORMATION:

■ **Company Name:** _____ ■ **Contact Name:** _____
 ■ **Address:** _____ **City, State, Zip:** _____
 ■ **Phone:** _____ ■ **PO #:** _____ ■ **Contact Email:** _____

WINDSTORM APPROVED # NO (Standard) Yes Note: Windstorm Product may extend lead time and/or increase price.

ENTRYWAY STOCK # (refer to the WoodCraft catalog): _____

SIZE: Enter the size information based on the available sizes for a specific door or sidelite as noted in the WoodCraft catalog.

Door Width: 30" 32" 36" 42" Unit dimensions (non-standard): _____
Door Height: 6'8" 8'0" **Sidelite Width** 12" 14"

WOOD SPECIES: Portobello Mahogany DoorCraft Mahogany Estancia Knotty Alder

PRE-HUNG OPTION: Standard Pre-hung units include the following: 4 9/16" Jamb Legs, Standard Sill, Boots, Hinges, Weatherstrip and if applicable, T-Astragal, Mull Posts, and Flush Bolts. All items indicated as an upgrade are not included in the Standard Prehung-units and will be charged at an additional cost.

Jamb Legs: 4 9/16" 6 9/16" (upgrade)
Sill: Standard Endura (upgrade) ADA (upgrade) **Sill Color:** Mill Aluminum Bronze Aluminum (N/A for ADA sill)
Hinges Color: Flat Black Satin Nickel Bronze

Other Upgrade Options: (extra charge): Check additional upgrade components you want to include in your pre-hung unit from the choices below:

Brick Mold Sub-Casing (excludes Arch Tops) Interior Casing Door Sweep Strikejamb Reinforcement Door Bore

Pre-hung Dutch Door (if applicable - hardware required at extra charge): Yes No

Dutch Hardware Options: Standard Surface Bolt Upgrade Multipoint Lever Latch **Hardware Finish Options:** ORB/Black Satin Nickel

DECORATIVE OPTIONS: Enter your choice for Decorative Glass, Speakeasy grille, Wrought Iron grille, GBG grille or Bungalow Grille Design. Also indicate your choice for Straps, Clavos or V-Grooved option if applicable.

V-Grooved (if applicable): Yes No NOTE: Refer to the WoodCraft catalog to view available door styles with V-Grooved option.

Decorative Glass Design (if applicable): _____ **Frame Color:** Black Satin Nickel Oil Rubbed Bronze

Speakeasy Grille Design (if applicable): _____ No Grille

Clavos (Door Nails) Design (if applicable): _____

Straps Design (if applicable): _____

Wrought Iron Grille Design (if applicable): _____

Peephole Viewer (if applicable): Yes No

GLASS OPTIONS: Choose the available glass texture option as noted in the WoodCraft catalog. Not all glass textures are available for all designs.

Clear Clear Bevel Water Large Flemish Ice Flower Reeds Granite Ocean Rain Cloud
 Clear LowE Clear Bevel LowE Wood panel (if applicable)

PREFINISH OPTION: Choice of Traditional, Antique or Distressed finishing. GlassCraft's exclusive prefinishing system adds protection to the doors.

Pre-Finished Unit: Yes No (unfinished unit)

If Yes, Which Finish: Traditional Antique Distressed

Which Finish Color: Natural Winter Canyon Brown Cinnamon Owl Grey Slate Grey Forest Grey Timber Wolf
 Charcoal (Available in Traditional only) Sierra Brown (Available in Antique or Distressed only)

If adding Door Bore, please answer the following questions below:

GlassCraft Multipoint Lock Prep: Yes No Handleset Part # _____ *Dummy Handleset Part # _____

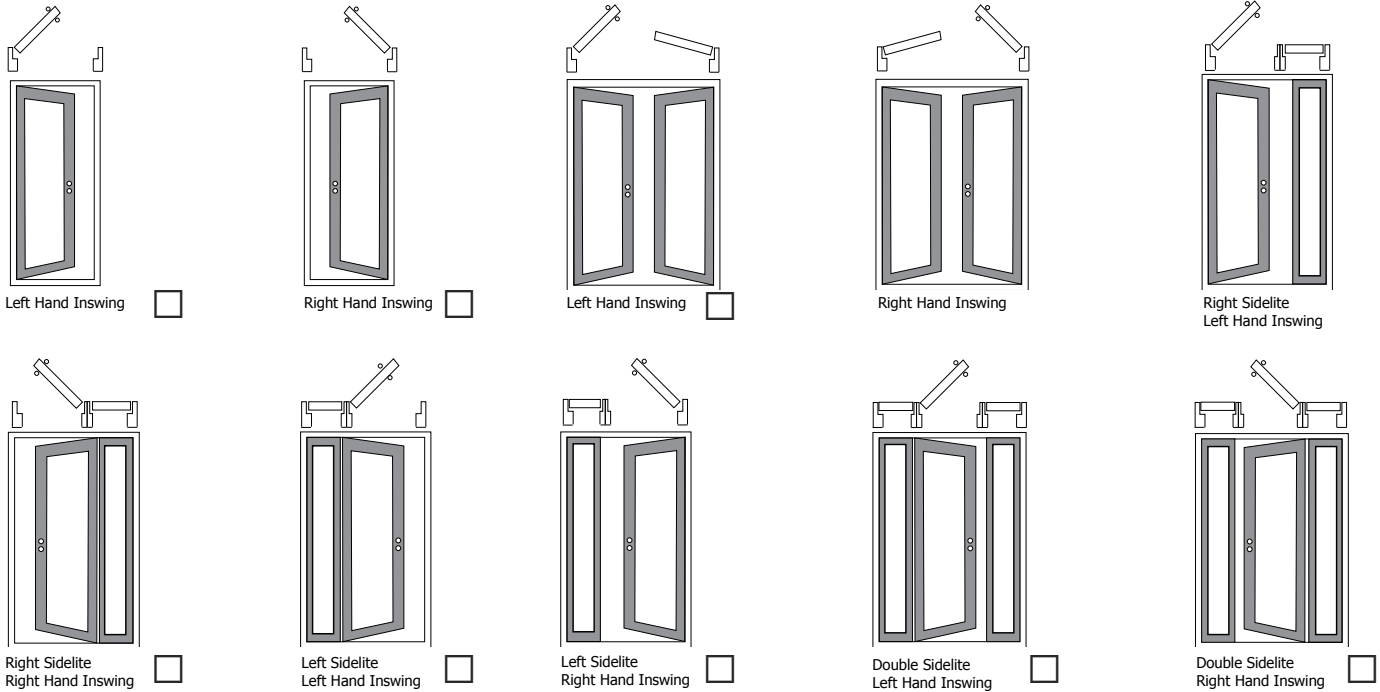
Latch Set Bore: Yes No If yes, select bore distance (for standard lock sets only): 2-3/8" 2-3/4"

Dead bolt bore: Yes No If yes, bore diameter is 2 1/8" for standard lock sets.

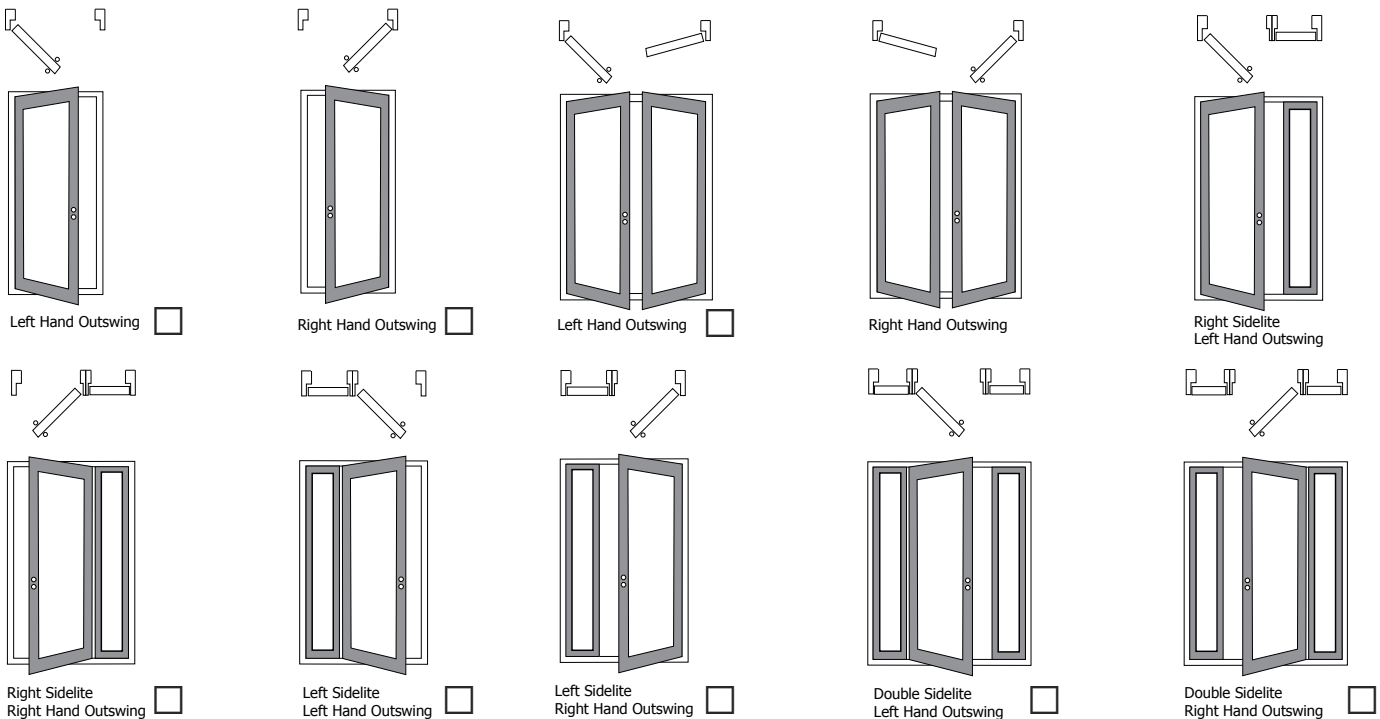
Center to center distance: 5-1/2" Other _____ *Dummy handleset is mounted on the inactive door of a double door unit.

PRE-HUNG HANDING CONFIGURATIONS

Inswing Configuration: Handings are to be acknowledged from the exterior looking in. GCDC designations could be different from what you are accustomed to. Please double check according to the images below.



Outswing Configurations: Handings are to be acknowledged from the exterior looking in. GCDC designations could be different from what you are accustomed to. Please double check according to the images below.



Additional information or special instructions (make sure to include standard options that may not be specified on this form):

NOTE: Sub-Casing, Brick Mold and Interior Casing are shipped uninstalled on pre-hung units. Some transom configurations have installed Sub-Casing and Brick Mold. Entryways with Sidelites will be produced using a "fat boy" mull between the door and sidelites to allow for a continuous door sill to be installed.

SHIPPING INFORMATION:

- Entry will be picked up from GlassCraft assembled
- Entry will be shipped K-D (knocked down) and crated
- Entry will be shipped assembled and crated (Unit may not be completely assembled, depending upon configuration. Please inquire for more information.)

GLASSCRAFT USE ONLY:

Received on: _____

Confirmed on: _____

Price quotation: _____

Estimated Ship Date: _____

CSR initials: _____

I ACCEPT THIS ORDER.

Signature

Date

SUBMIT THIS FORM:

- **Email to:** orderentry@glasscraft.com
- **Fax to:** 713-690-2919

IMPORTANT: Changes or cancellations made to this order after signed confirmation is received by GlassCraft may result in additional charges.

PLEASE NOTE: The ability to submit this form using the Submit button may be limited by your computer setup. If you are unable to submit the form using the Submit button. Please save the file to your computer and send it to orderentry@glasscraft.net